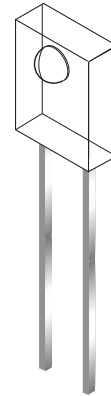
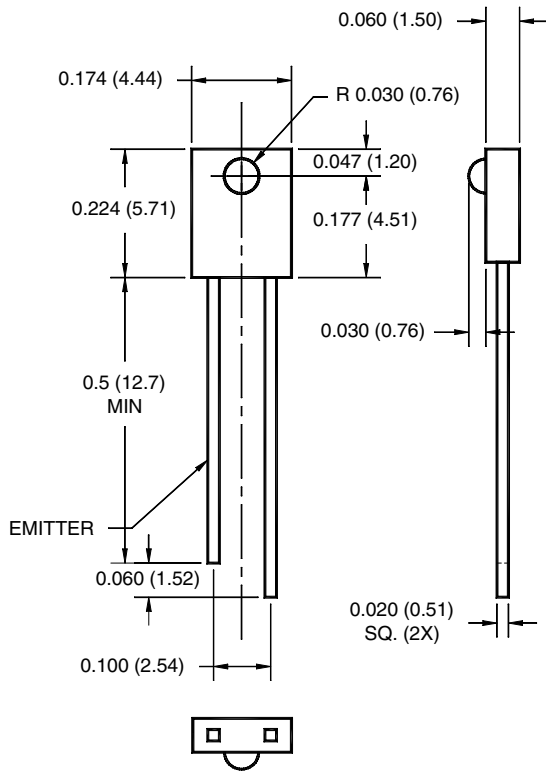
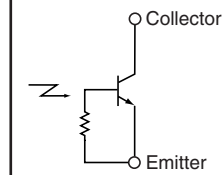


PACKAGE DIMENSIONS



SCHEMATIC



NOTES:

1. Dimensions for all drawings are in inches (millimeters).
2. Tolerance of $\pm .010$ (.25) on all non nominal dimensions unless otherwise specified.

DESCRIPTION

The QSE243 is a silicon phototransistor with low light level rejection, encapsulated in a medium angle, thin clear plastic sidelooker package.

FEATURES

- NPN Silicon Phototransistor with internal base-emitter resistance
- Package Type: Sidelooker
- Medium Reception Angle, 50°
- Clear Plastic Package
- Matching Emitter: QEE213

ABSOLUTE MAXIMUM RATINGS ($T_A = 25^\circ\text{C}$ unless otherwise specified)

Parameter	Symbol	Rating	Unit
Operating Temperature	T_{OPR}	-40 to + 100	$^\circ\text{C}$
Storage Temperature	T_{STG}	-40 to + 100	$^\circ\text{C}$
Soldering Temperature (Iron) ^(2,3,4)	T_{SOL-I}	240 for 5 sec	$^\circ\text{C}$
Soldering Temperature (Flow) ^(2,3)	T_{SOL-F}	260 for 10 sec	$^\circ\text{C}$
Collector-Emitter Voltage	V_{CE}	30	V
Emitter-Collector Voltage	V_{EC}	5	V
Power Dissipation ⁽¹⁾	P_D	100	mW

ELECTRICAL / OPTICAL CHARACTERISTICS ($T_A = 25^\circ\text{C}$)

Parameter	Test Conditions	Symbol	Min	Typ	Max	Units
Peak Sensitivity		λ_{PS}	—	880	—	nm
Reception Angle		θ	—	± 25	—	Deg.
Collector Emitter Dark Current	$V_{CE} = 15\text{ V}, E_e = 0$	I_D	—	—	100	nA
Collector Emitter Breakdown	$I_C = 100\ \mu\text{A}$	BV_{CEO}	30	—	—	V
Saturation Voltage	$E_e = 1\ \text{mW}/\text{cm}^2$ $I_C = 0.1\ \text{mA}^{(5)}$	$V_{CE(sat)}$	—	—	0.4	V
Rise Time	$V_{CC} = 5\ \text{V}, R_L = 1000\ \Omega$	t_r	—	15	—	μs
Fall Time	$I_C = 1\ \text{mA}$	t_f	—	15	—	μs
Light Current Slope ⁽⁶⁾	$V_{CE} = 5\ \text{V}, E_{e1} = 1\ \text{mW}/\text{cm}^2^{(5)}$ $E_{e2} = 0.5\ \text{mW}/\text{cm}^2^{(5)}$	I_{LS}	1.0			$\text{mA}/\text{mW}/\text{cm}^2$
Knee Point ^(5,7)	$V_{CE} = 5\ \text{V}$	E_{ek}		0.125		mW/cm^2

NOTES

1. Derate power dissipation linearly 1.33 mW/ $^\circ\text{C}$ above 25 $^\circ\text{C}$.
2. RMA flux is recommended.
3. Methanol or isopropyl alcohols are recommended as cleaning agents.
4. Soldering iron 1/16" (1.6 mm) minimum from housing.
5. $\lambda = 950\ \text{nm}$, GaAs source
6. The slope is defined by $(I_{C1} - I_{C2}) / (E_{e1} - E_{e2})$ where I_{C1} is the collector current at E_{e1} and I_{C2} the collector current at E_{e2} .
7. Knee point is defined as being required to increase I_C to 50 μA .

DISCLAIMER

FAIRCHILD SEMICONDUCTOR RESERVES THE RIGHT TO MAKE CHANGES WITHOUT FURTHER NOTICE TO ANY PRODUCTS HEREIN TO IMPROVE RELIABILITY, FUNCTION OR DESIGN. FAIRCHILD DOES NOT ASSUME ANY LIABILITY ARISING OUT OF THE APPLICATION OR USE OF ANY PRODUCT OR CIRCUIT DESCRIBED HEREIN; NEITHER DOES IT CONVEY ANY LICENSE UNDER ITS PATENT RIGHTS, NOR THE RIGHTS OF OTHERS.

LIFE SUPPORT POLICY

FAIRCHILD'S PRODUCTS ARE NOT AUTHORIZED FOR USE AS CRITICAL COMPONENTS IN LIFE SUPPORT DEVICES OR SYSTEMS WITHOUT THE EXPRESS WRITTEN APPROVAL OF THE PRESIDENT OF FAIRCHILD SEMICONDUCTOR CORPORATION. As used herein:

1. Life support devices or systems are devices or systems which, (a) are intended for surgical implant into the body, or (b) support or sustain life, and (c) whose failure to perform when properly used in accordance with instructions for use provided in labeling, can be reasonably expected to result in a significant injury of the user.
2. A critical component in any component of a life support device or system whose failure to perform can be reasonably expected to cause the failure of the life support device or system, or to affect its safety or effectiveness.